

WASTEMASTER® GCV

Vertical Screw Screen
GCV & GCEV



SPECO®



WASTEMASTER® GCV unit displayed at WEFTEC 2015



SPECOC

WASTEMASTER® GCV Vertical Screw Screen

Vertical Screw Screen

Designed for Plants with Limited Space

Wastewater enters the SPECOC GCV screw screen through a flanged connection with the supply pipe. Collar clamp brackets and the optional base frame insure fast, easy installation. A quick disconnect flange is available along with an optional hoisting mechanism. The modular design of this screening system allows for easy access and replacement of all components.

Special segmented brushes on the outside diameter of the shaftless screw provide continuous cleaning of the screen. The perforated plate screen is available with 3, 6, or 10 mm openings. A shaftless spiral transports the captured solids to the dewatering zone which achieves a solids volume reduction of up to 40%.

The dewatered solids are discharged via an outlet spout that is fabricated from SINT® Techno polymeric material which is easy to clean and is not affected by temperature variations. This proprietary material is anti-wear and self-lubricating and can be found on more than 1,500 installations worldwide.

An open channel variation of this screen is also available for deep, narrow channels.

Features

- Up to 40% solids reduction.
- Designed for easy installation in tight places.
- Provides protection for submersible pumps.
- Screen components can be easily accessed due to the modular design.
- Discharge is manufactured from UV resistant polymer.
- Bag clamping system for bagger cassette.
- Adjustable elevation feet.
- Quick coupling device easily connects to influent pipe.



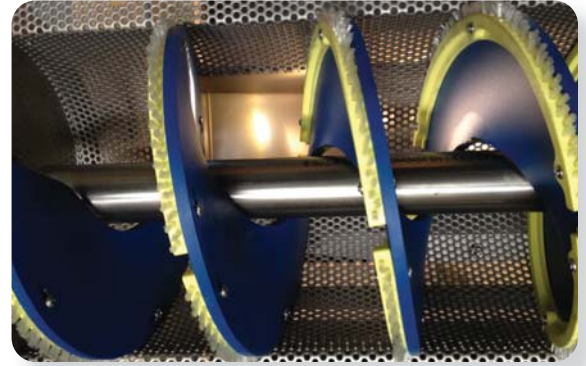
WASTEMASTER 90 Degree Screen



Quick coupling and disconnect flange for ease of installation and removal.



Discharge spout using SINT® Techno-polymeric material.



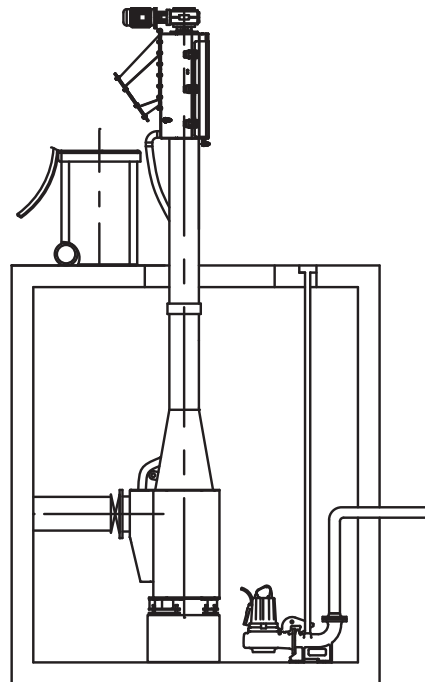
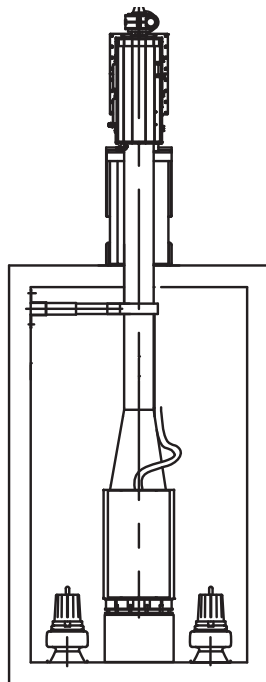
Shaftless spiral with fixed center pipe and segmented brushes for ease of replacement.

Flow Rates

Model	Flow Rate (MGD) (3mm)	Flow Rate (MGD) (6mm)	Flow Rate (MGD) (10mm)
GCV 200	0.6	0.7	0.8
GCV 300	0.8	1.1	1.1
GCV 500	1.6	2.1	2.1

Specifications

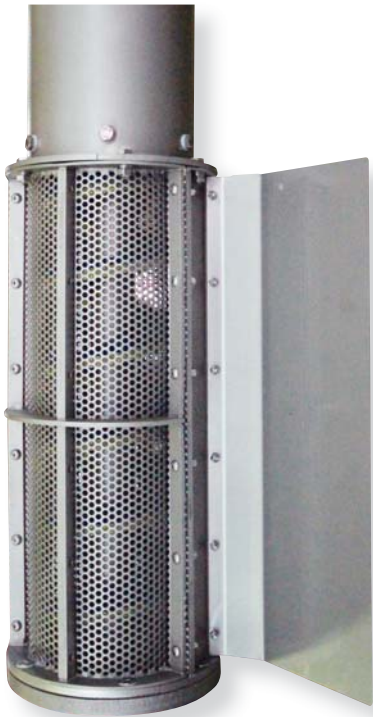
- Flows to 2 MGD in a single screen.
- Inlet to discharge height of up 30 ft.
- Outlet installation angle based on customer requirement.
- All fabricated parts in 304L / 316L stainless steel.
- Shaftless screw in special high alloy steel or optional 304 / 316 stainless steel.
- Optional bagging system available.





WASTEMASTER® GCEV Vertical Screw Screen

In-Channel Vertical Screw Screen



Full Screen basket for deep channels.



Open Channel Installation

This deep channel design easily handles high upfront water levels. Special segmented brushes on the outside diameter of the screw flight provide continuous cleaning of the screen which optimizes capture efficiency.

Separated solids are transported to the dewatering zone where a unique, proprietary compaction zone achieves a 40% solids volume reduction. The discharge spout is manufactured from durable, weather resistant SINT® polymer.

Screen sizes range from 200 mm to 500 mm with flows from 0.3 MGD to 1.1 MGD depending on screen opening. Perforated media screen baskets are available in 2, 3, 5, 6, and 10 mm perforations.